

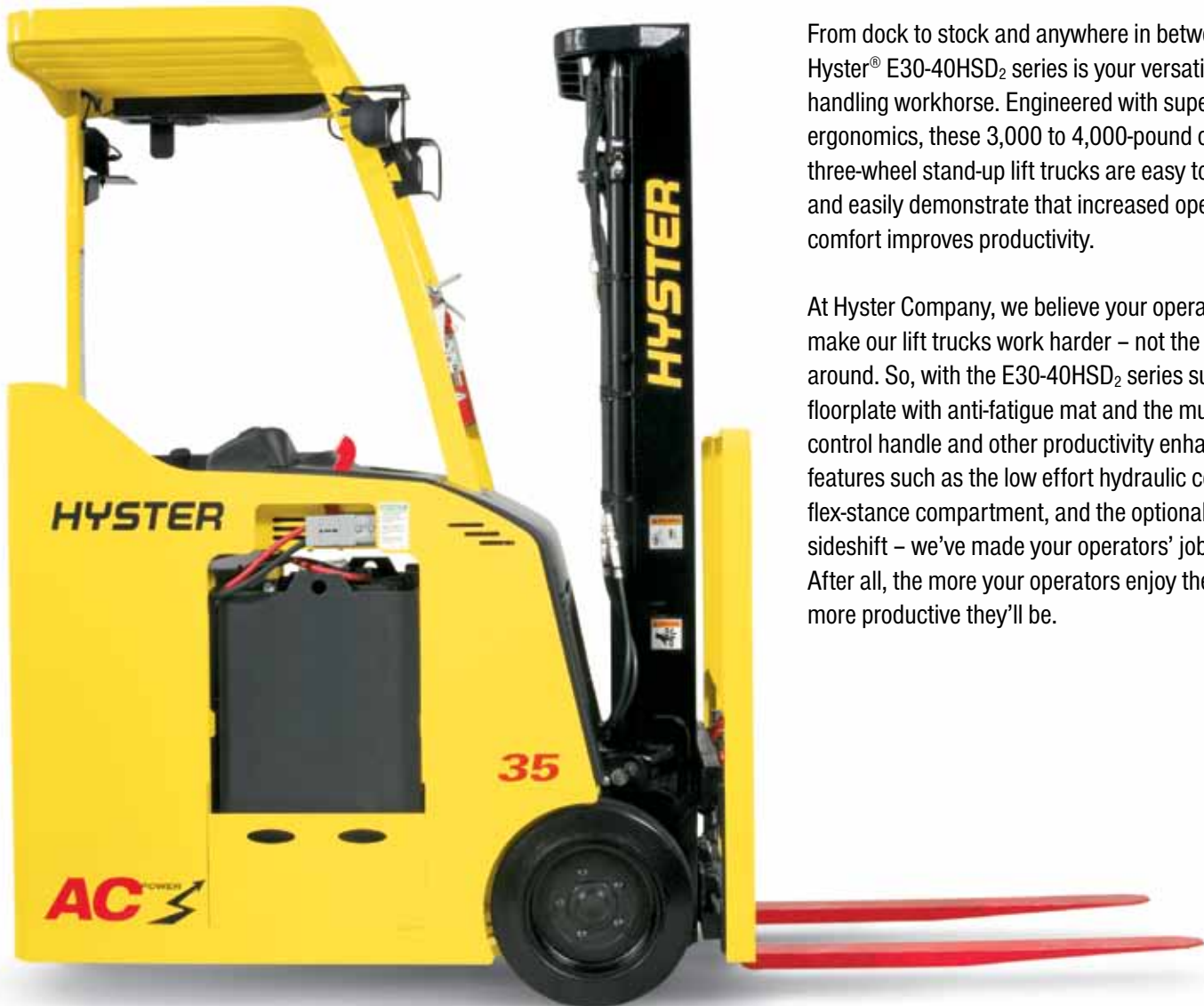


**Counterbalanced Electric, Cushion Tire**

**E30-40HSD<sub>2</sub>**



## E30-40HSD<sub>2</sub> SERIES



From dock to stock and anywhere in between, the Hyster® E30-40HSD<sub>2</sub> series is your versatile materials handling workhorse. Engineered with superior ergonomics, these 3,000 to 4,000-pound capacity three-wheel stand-up lift trucks are easy to operate and easily demonstrate that increased operator comfort improves productivity.

At Hyster Company, we believe your operators should make our lift trucks work harder – not the other way around. So, with the E30-40HSD<sub>2</sub> series suspended floorplate with anti-fatigue mat and the multifunction control handle and other productivity enhancing features such as the low effort hydraulic control, flex-stance compartment, and the optional integral sideshift – we've made your operators' jobs easier. After all, the more your operators enjoy their jobs, the more productive they'll be.



# RAISING THE STANDARD FOR LIFT TRUCKS

## A Overhead Guard (OHG)

The unique grid-style pattern provides excellent visibility while protecting operators. Two heights are available: low profile 83.0" and tall profile 88.0" (standard).

## B Operator Compartment

Operator controls are positioned to allow a side stance or 45-degree stance to maximize comfort, efficiency and visibility. The contoured wraparound padded backrest with integrated thigh and knee pads, anti-fatigue floor mat and suspended floor significantly reduces the transmission of vibrations for greater comfort.

## C Mast

Fast lift and lower speeds combined with superb visibility make the Hyster mast among the best the industry has to offer. The optional integral sideshift affords excellent visibility and greater capacities than carriage mounted sideshifts.

## D Hydraulic Controls

The Multifunction Control Handle affords simultaneous operation of lift/lower, horn, travel direction, speed, and one auxiliary function for enhanced productivity.

## E Console Covers

The top and front covers are made of a durable crack-resistant ABS polymer, and includes large storage areas for operator convenience.

## F AC Motors

The brushless AC traction and hydraulic motors, powered by transistor controls, are durable enough to handle your toughest duty cycle, with reduced maintenance costs and enhanced productivity.

## G Brake System

Fully adjustable Auto Deceleration System allows an operator to rely less on the brakes, enhancing overall productivity. Electric brake engages when the RPM of the AC traction motors reaches zero for at least one second. The automatic park brake is applied when the operator steps off the truck.

## H Floor Plate

Anti-fatigue floor mat covers a suspended floor that rests on polymer arches that absorb and reduce the transmission of vibration and shock to the operator by 25 percent.

## I Three-wheel Design

The on-demand rack-and-pinion hydrostatic steer system uses a brushless steer motor for reliable, maintenance-free operation. The E30-40HSD<sub>2</sub> series unique three-wheel configuration provides a tighter turning radius for unparalleled maneuverability that makes stacking in limited space and congested loading bays easier than ever. The dual steer wheels provide a smoother, more stable ride.



Trucks shown with optional equipment.

# E30-40HSD<sub>2</sub>

With the Hyster-engineered productivity of the E30-40HSD<sub>2</sub> series you'll move more product from dock to stock with greater efficiency, improving the bottom line. It's the three-wheel, stand-up lift truck that delivers on performance and versatility.

## Superior Operator Control

- The multifunction control handle affords simultaneous operation of lift/lower, horn, travel direction, speed, and one auxiliary function for enhanced productivity.
- A non-contact Hall Effect accelerator input uses magnet and sensor to eliminate wear, increase durability and provide enhanced speed control and acceleration.
- The rack-and-pinion hydrostatic power steer system affords precise control with minimal steering effort, while the dual steer wheel assemblies provide 180 degrees of total steer angle for superb maneuverability. The hydraulic steer system offers on-demand performance, efficiency, and reduced noise.
- The fully adjustable Auto Deceleration System automatically slows the truck allowing the operator to rely less on the brakes, enhancing duty cycle times.
- Three-wheel configuration provides a tighter turning radius for superb maneuverability that makes stacking in limited space and congested loading bays easier than ever.
- Continuous differential drive enables both drive wheels to operate separately for extra traction and power, with positive traction for quicker starts and stops aided by load and truck weight distribution over the drive wheels.
- Widely spaced, flush-faced mast channels allow the handling of greater capacities, providing outstanding stability throughout the lifting range with excellent visibility.
- Optional Hyster integral sideshift provides excellent visibility and affords greater capacities than carriage mounted sideshifts.



## AC Technology

- The use of AC motors provides improved acceleration and performance on grades, while the precision load positioning on incline capability allows operators precise control of truck hydraulic functions while on an incline, reducing the likelihood of unintended product damage.
- AC transistor traction control system and AC motor provides seamless acceleration and faster travel speeds through full-time electronic field control, increasing productivity.
- Controllability has been improved with the AC controls which allow the operator to make smooth, controlled movements and accelerations.
- Regenerative braking puts energy back into the electrical system and is stored in the battery, improving efficiency, and reducing wear on brake components.

## Multifunction Display

- The standard premium dash display includes the programmability of four operator-selectable performance modes and can store 30 operator specific passwords.
- The 1" tall by 2" wide LCD displays vehicle status, warning, and fault messages. The primary screen presents battery level, throttle command, vehicle speed, vehicle direction, steer angle, performance mode, and hours.
- A heated version of the display is available for freezer applications. Both the standard and heated displays are rated to IP-65, for greater durability.

The E30-40HSD<sub>2</sub> is uniquely focused on assisting operators to work more productively with greater comfort in congested docks or aisles. Enhanced ergonomics combined with customizable performance characteristics enhance overall productivity and uptime.

#### Low Effort Controls

- The multifunction control handle has a built-in palm rest in conjunction with the padded armrest that provides ergonomic support of hand, arm and shoulder for increased operator comfort.
- The handle assembly offers a palm rest, large function buttons, and low actuation efforts. The handle allows simultaneous operation of traction, lift/lower, and one auxiliary function. The convenient large quad button allows ease of operation of the functions on the truck even in freezer applications.
- The tiller assembly, made of durable cast metal, lends itself to the ergonomics and ease of use of the truck.
- An automatic park brake ensures that the brake is applied when the operator steps off of the truck.



#### Superior Operator Compartment

- The Hyster E30-40HSD<sub>2</sub> series operator environment is intuitive by design. Its suspended floor helps operators work more comfortably and productively in or around congested docks and aisles.
- Operator controls are positioned to allow a side stance or 45-degree stance to maximize comfort, efficiency and visibility.
- Contoured wraparound padded backrest with integrated thigh and knee pads, padded armrest, anti-fatigue floor mat and suspended floor significantly reduces the transmission of vibrations for greater comfort. The covers include a cup holder, clipboard, and large storage areas.
- A low 7-inch rear step height provides easy entry and exit, while a half-inch lip around the floor helps keep operators' feet inside the compartment.
- The brake pedal mounting location is optimized for comfort through the entire operating range and operator positions.

Service on the E30-40HSD<sub>2</sub> series is made simple by easy access to maintenance items and an overall simplified design that reduces parts while increasing durability. The E30-40HSD<sub>2</sub> features an uncomplicated design to reduce downtime for servicing; increasing the total time spent moving product and enhancing your profit margin.

## Unrestricted Service Access

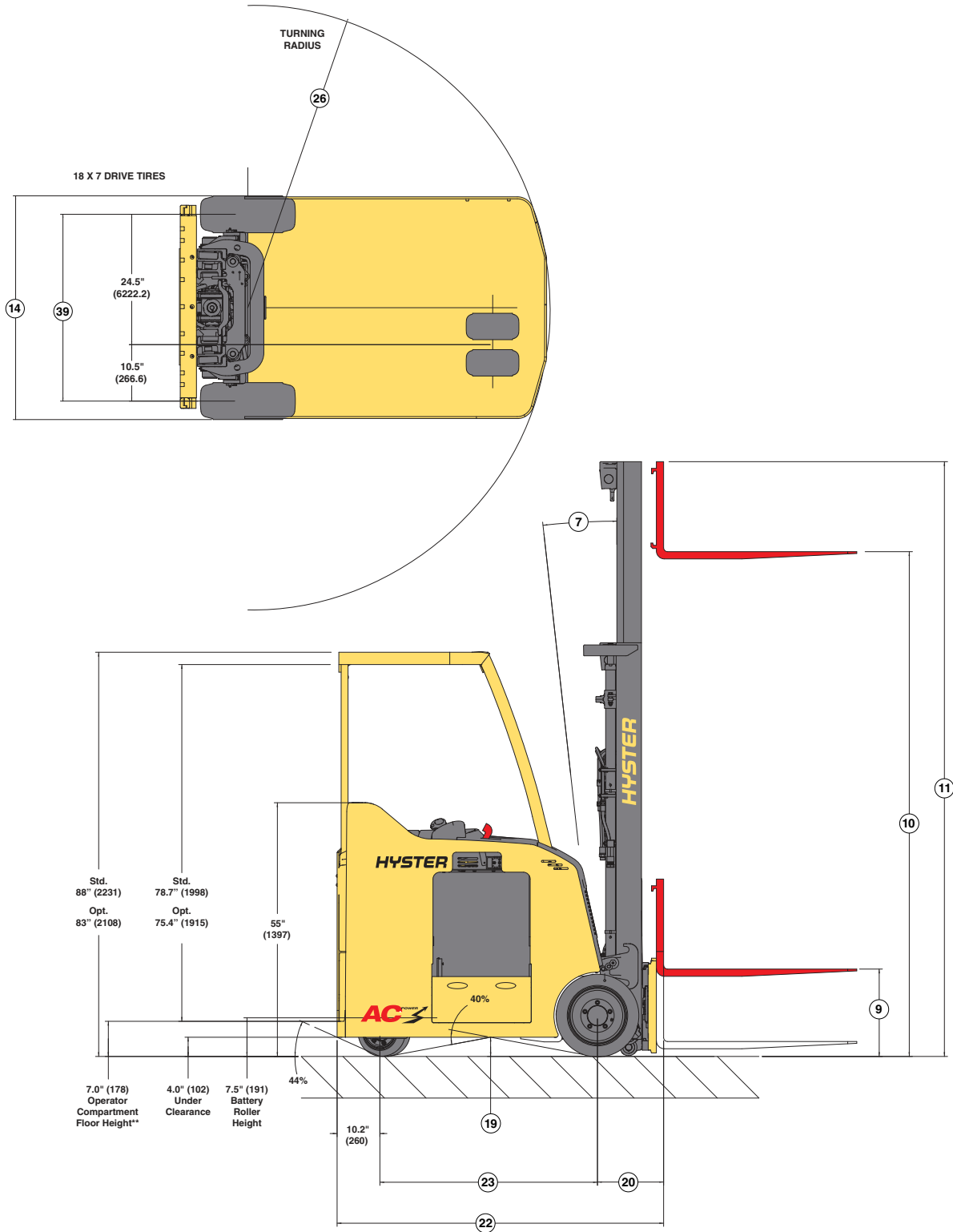
- Removable floor plate and side panel provide complete access to the power steering assembly. The hydraulic-actuated rack-and-pinion steer axle is completely enclosed, preventing moisture and outside contaminants from entering the steer unit.
- Easy lift-off panels provide quick access to lift pump, drive motors, electronics, power steering pump and motor for easy maintenance.
- The covers are made of high impact ABS plastic. Large storage compartments and a recess for a clipboard are molded into the top covers. Covers are easily removed with a minimum of tools.
- The control system incorporates a CANbus network to link all vehicle systems. The network allows communication between the traction controllers, the multifunction control handle, the hoist controller, and the dash display. In addition, a CAN port located under the top cover is provided for a PC service tool access. The ability to communicate between truck systems allows the control system to optimize vehicle operation for performance, safety, and diagnostics.



## World-class Dependability

- Auto Deceleration System slows the truck through regenerative braking to reduce brake wear extending service life.
- The AC traction and hoist motors offer a simpler motor design eliminating commutating brushes. The simple design of AC motors improves reliability and reduces maintenance requirements. The drive motor insulation is class H rated and the lift motor insulation is class F rated, providing the highest degree of protection.
- Sealed connectors, rated at IP65, are primarily used throughout the control wire harnesses. The connectors utilized also provide a positive mechanical lock reducing the possibility of connectors coming loose.
- The motors have a temperature sensor mounted internally to monitor and provide feedback to the CANbus network. The temperature sensor monitors the motor thermal state and can react to various situations to self protect the motor.
- The controllers constantly monitor internal heat sink and connected motor temperatures. If motors exceed a thermal threshold, performance to the motor is reduced and vehicle operation is limited.

# DIMENSIONS



Circled dimensions correspond to the line numbers on the tabulated chart inside the Technical Guide. Dimensions are in inches (millimeters).



# E30-40HSD<sub>2</sub> SPECIFICATIONS

GENERAL	1		Manufacturer	Hyster	Hyster	Hyster	Hyster
	2		Model Designation	E30HSD2	E35HSD2 SWB	E35HSD2 LWB	E40HSD2
3		Power / Voltage		Electric / 36 Volts	Electric / 36 Volts	Electric / 36 Volts	Electric / 36 Volts
4		Operation Type		Stand	Stand	Stand	Stand
5		Rated Capacity		lb. (kg)	3000 (1361)	3500 (1588)	3500 (1588)
6		Load Center		in. (mm)	24 (609)	24 (609)	24 (609)
7		Mast Tilt Std (Opt)		degrees	5F / 5B (10F / 5B)	5F / 5B (10F / 5B)	5F / 5B (10F / 5B)
8		Mast – Lowered Height (Std Mast)		in. (mm)	84 (2130)	84 (2130)	84 (2130)
9		Free Lift – Top of Fork (Std 2 Stg Limited Free Lift Mast)		in. (mm)	5 (140)	5 (140)	5 (140)
10		Free Lift – Top of Fork (Opt 2 Stg Full Free Lift Mast w/wo LBR)		in. (mm)	33 / 61 (860 / 1555)	33 / 61 (860 / 1555)	33 / 61 (860 / 1555)
11		Lift Height – Top of Fork (Std 2 Stg Limited Free Lift Mast)		in. (mm)	131 (3332)	131 (3332)	131 (3332)
12		Mast – Extended Height (Std Mast with / without LBR)		in. (mm)	180 / 154 (4555 / 3912)	180 / 154 (4555 / 3912)	180 / 154 (4555 / 3912)
13		Overhead Guard Height (Std / Opt)		in. (mm)	88 / 83 (2234 / 2108)	88 / 83 (2234 / 2108)	88 / 83 (2234 / 2108)
14		Grade Clearance		% %	40	40	40
15		Overall Width		in. (mm)	42 (1067)	42 (1067)	42 (1067)
16		Forks (Thickness x Width x Length)		in. (mm)	1.5 x 4 x 42 (38 x 102 x 1067)	1.5 x 4 x 42 (38 x 102 x 1067)	1.5 x 4 x 42 (38 x 102 x 1067)
17		Standard Carriage Width (Class II)		in. (mm)	38.5 (978)	38.5 (978)	38.5 (978)
18		Fork to Top of Battery Rollers		in. (mm)	7.5 (190)	7.5 (190)	7.5 (190)
19		Ground Clearance (Center of Wheelbase) NL		in. (mm)	4 (102)	4 (102)	4 (102)
20		Load Distance (Center of Wheel to Face of Forks)		in. (mm)	12.6 (321)	12.6 (321)	12.6 (321)
21		Battery Compartment		Height	in. (mm)	31.1 (790)	31.1 (790)
				Width	in. (mm)	18.3 (465)	18.3 (465)
				Length	Nominal	38"	38"
					Actual	38.6 (980)	38.6 (980)
22		Length to Face of Forks		in. (mm)	66.7 (1696)	66.7 (1696)	69.2 (1759)
23		Wheelbase		in. (mm)	43.9 (1115)	43.9 (1115)	46.4 (1178)
24		Aisle Width*		in. (mm)	112.8 (2865)	112.8 (2865)	115.1 (2924)
25		Equal Aisle, 90° Intersecting Aisle*		in. (mm)	69.2 (1757)	69.2 (1757)	69.2 (1757)
26		Turning Radius		in. (mm)	55.0 (1397)	55.0 (1397)	57.5 (1460)
27		Travel Speed (NL / RL)		mph (km/h)	7.2 / 7.2 (11.6 / 11.6)	7.2 / 7.2 (11.6 / 11.6)	7.2 / 7.2 (11.6 / 11.6)
28		Lift Speed		Std 2 Stg LFL Mast (NL / RL)	ft/min (m/sec)	89 / 69 (0.45 / 0.35)	89 / 67 (0.45 / 0.34)
				Opt 2 Stg FFL Mast (NL / RL)	ft/min (m/sec)	55 / 43 (0.28 / 0.22)	55 / 41 (0.28 / 0.21)
				Opt 3 Stg FFL Mast (NL / RL)	ft/min (m/sec)	83 / 65 (0.42 / 0.33)	83 / 62 (0.42 / 0.32)
29		Lower Speed		Std 2 Stg LFL Mast (NL / RL)	ft/min (m/sec)	55 / 102 (0.28 / 0.52)	55 / 106 (0.28 / 0.54)
				Opt 2 Stg FFL Mast (NL / RL)	ft/min (m/sec)	30 / 59 (0.15 / 0.30)	30 / 61 (0.15 / 0.31)
				Opt 3 Stg FFL Mast (NL / RL)	ft/min (m/sec)	71 / 88 (0.36 / 0.45)	71 / 91 (0.36 / 0.46)
30		Gradability		5 Minute Rating (NL / RL)	%	15.0/15.0	15.0/15.0
				60 Minute Rating (NL / RL)	%	3.47 / 2.57	3.30 / 2.38
31		Drawbar Pull		5 Minute Rating (NL / RL)	lbf	2645 / 2412	2582 / 2335
32		Brake		Method of Control		Spring Apply / Elec. Released	Spring Apply / Elec. Released
				Method of Operation		Foot	Foot
33		Truck Weight		Without Battery (NL)	lb. (kg)	6355 (2882)	6838 (3102)
34		Axle Loading – Drive		Static with Max. Wt. Battery (NL / RL)	lb. (kg)	4058 (1841) / 9563 (4338)	4285 (1944) / 10707 (4857)
35		Axle Loading – Steer		Static with Max. Wt. Battery (NL / RL)	lb. (kg)	4182 (1897) / 1677 (761)	4853 (2201) / 1931 (876)
36		Tire Type – Rubber, Polyurethane etc. (Drive / Steer)				Rubber / Polyurethane	Rubber / Polyurethane
37		Tire Size (Drive / Steer)		in.	18 x 7 - 12.1 / 10 x 5 - 6.5	18 x 7 - 12.1 / 10 x 5 - 6.5	18 x 7 - 12.1 / 10 x 5 - 6.5
38		Wheels – Number (X=Driven) Drive / Steer			2X / 2	2X / 2	2X / 2
39		Tread (Tires) Std Dr / Steer / Steer		in. (mm)	35/10.5/24.5 (889/267/622)	35/10.5/24.5 (889/267/622)	35/10.5/24.5 (889/267/622)
40		Battery		Type		Lead Acid	Lead Acid
				Volts		36	36
				Minimum Weight	lb. (kg)	1885 (855)	2300 (1043)
41		Traction Motors (Dual) 60 Minute Rating each		hp (kW)	6.4 (4.8)	6.4 (4.8)	6.4 (4.8)
42		Pump Motor 15 Minute rating		hp (kW)	16.1 (12)	16.1 (12)	16.1 (12)
43		Traction Motors (Type / Control Method)			AC / Transistor	AC / Transistor	AC / Transistor
44		Pump Motor (Type / Control Method)			AC / Transistor	AC / Transistor	AC / Transistor
45		Number of Speeds (Traction & Pump)			Infinitely Variable	Infinitely Variable	Infinitely Variable
46		Step Height		in. (mm)	7 (179)	7 (179)	7 (179)
47		Attachment Relief Pressure		psi (bar)	2000 (13789)	2000 (13789)	2000 (13789)
49		Sound Level (Measured per ANSI B56.11.5)		dB (A)	69	69	69

Specifications, unless otherwise listed, are for a standard truck without optional equipment. \*Right Angle Stack and Equal Intersecting Aisle dimensions provided with a 48" long and 40" wide pallet load, allowing zero clearance.

CERTIFICATION: These Hyster® lift trucks meet design specifications of Part II ANSI B56.1-1969, as required by OSHA Section 1910.178(a)(2) and also comply with Part III ANSI B56.1-revision in effect at time of manufacture. Certification of compliance with the applicable ANSI standards appears on the lift truck.

Performance specifications are for a truck equipped as described under Standard Equipment on this Technical Guide. Performance specifications are affected by the condition of the vehicle and how it is equipped, as well as by the nature, condition of the operating area, proper service and maintenance of the vehicle. If these specifications are critical, the proposed application should be discussed with your dealer.

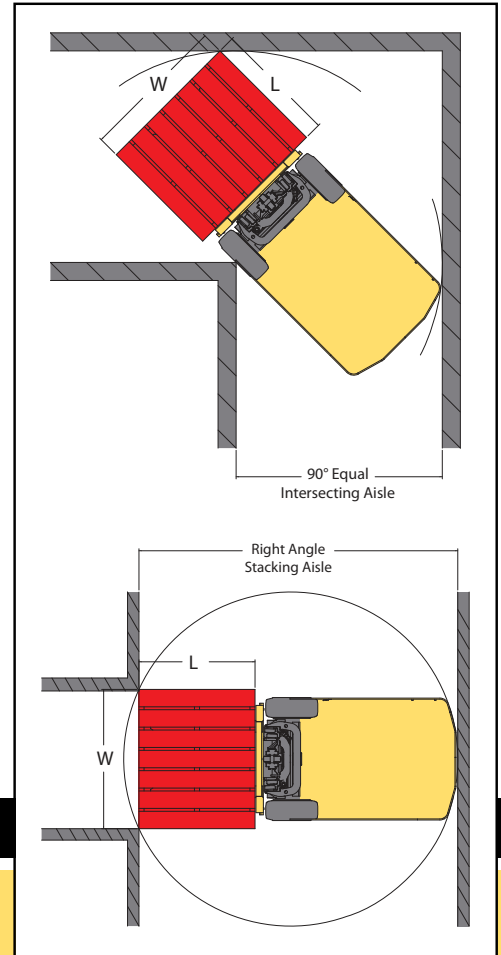
# MAST AND BATTERY SPECIFICATIONS

## E30-40HSD<sub>2</sub> MAST DIMENSIONS

Maximum Fork Height (TOF)	Overall Lowered Ht.	Overall Extended Height w/ Load Backrest Ext.	Overall Extended Height w/o Load Backrest Ext.	Free Lift (TOF) w/ Load Backrest Ext.	Free Lift (TOF) w/o Load Backrest Ext.
in (mm)	in (mm)	in (mm)	in (mm)	in (mm)	in (mm)
<b>2-STAGE LIMITED FREE-LIFT (LFL) MAST</b>					
131 (3332)	84 (2130)	180 (4562)	154 (3906)	5 (140)	5 (140)
139 (3532)	88 (2230)	188 (4762)	162 (4106)	5 (140)	5 (140)
<b>2-STAGE FULL FREE-LIFT (FFL) MAST</b>					
130 (3318)	84 (2130)	180 (4568)	154 (3913)	35 (900)	61 (1555)
138 (3518)	88 (2230)	188 (4768)	162 (4113)	39 (1000)	65 (1655)
<b>3-STAGE FULL FREE-LIFT (FFL) MAST</b>					
187 (4750)	82 (2080)	236 (5980)	210 (5325)	33 (850)	59 (1505)
192 (4900)	84 (2230)	238 (6030)	212 (5375)	35 (900)	61 (1555)
198 (5050)	88 (2230)	248 (6280)	221 (5625)	39 (1000)	65 (1655)
222 (5650)	98 (2480)	271 (6880)	245 (6225)	49 (1250)	75 (1905)
228 (5800)	100 (2530)	277 (7030)	251 (6375)	51 (1300)	77 (1955)
<b>4-STAGE FULL FREE-LIFT (FFL) MAST</b>					
241 (6121)	84 (2121)	289 (7340)	264 (6708)	37 (935)	60 (1524)
259 (6578)	90 (2273)	306 (7772)	282 (7165)	43 (1087)	65 (1651)
283 (7188)	99 (2502)	331 (8407)	306 (7775)	52 (1316)	74 (1880)

## E30-40HSD<sub>2</sub> BATTERY AND COMPARTMENT SPECIFICATIONS

Truck Model	Compartment Dim.			Battery Dim - Max			Volts	No. of Cells	Plates per Cell	Max Capacity		Weight	
	Width (X)	Length (Y)	Height (Z)	"X"	"Y"	"Z"				6 Hr Rate	Min	Max	
	in (mm)			in (mm)						amp hr (kwh)	lb (kg)		
E30HSD2 Standard 18.3" Compartment	38.6 (980)	18.3 (465)	31.1 (790)	38.6 (980)	17.9 (455)	31 (787)	36	18	15	1085 (37.9)	2300 (1043)	2700 (1225)	
E30HSD2 *Optional 16.3" Compartment	38.6 (980)	16.3 (414)	31.1 (790)	38.6 (980)	15.8 (401)	31 (787)	36	18	13	930 (32.5)	1885 (855)	2300 (1050)	
E35HSD2 Standard 18.3" Compartment	38.6 (980)	18.3 (465)	31.1 (790)	38.6 (980)	17.9 (455)	31 (787)	36	18	15	1085 (37.9)	2300 (1043)	2700 (1225)	
E35HSD2 *Optional 20.8" Compartment	38.6 (980)	20.8 (528)	31.1 (790)	38.6 (980)	20.4 (518)	31 (787)	36	18	17	1240 (43.3)	2500 (1152)	3050 (1383)	
E40HSD2 Standard 20.8" Compartment	38.6 (980)	20.8 (528)	31.1 (790)	38.6 (980)	20.4 (518)	31 (787)	36	18	17	1240 (43.3)	2695 (1222)	3050 (1383)	
E40HSD2 *Optional 18.3" Compartment	38.6 (980)	18.3 (465)	31.1 (790)	38.6 (980)	17.9 (455)	31 (787)	36	18	15	1085 (37.9)	2300 (1043)	2700 (1225)	



Battery compartment length is measured from front to rear. Battery Compartment Width is measured across the truck.

Battery Connector: 350 Amp / 36 Volt

Battery Lead: Length 20" (508 mm) 2/0 guage leads, "B" Position

\* 18.3" battery compartment with a 2.5" spacer to accommodate a 16" Battery.

\* 20.8" battery compartment with a 3.0" spacer to accommodate a 18" Battery.

## STANDARD EQUIPMENT

- 2 Stage Limited Free Lift (LFL) Mast with Maximum Fork Height of 131"
- 5° Forward / 5° Back Mast Tilt
- 38.5" (978mm) Wide Class II Hook Carriage with 48" High Load Backrest Extension
- 42" Long Class II Hook Type (1.5" x 4") Standard Taper Forks
- Tires
  - Drive – 18" x 7" Smooth Rubber (E30-35HSD2)
  - Drive – 18" x 7" Smooth Polyurethane (E40HSD2)
  - Steer – 10" x 5" Smooth Polyurethane
- Battery Compartment Size
  - 38.6" L x 18.3" W x 31.1" H (E30-35HSD2)
  - 38.6" L x 20.8" W x 31.1" H (E40HSD2)
- 36 Volt Electrical System
- Standard Construction
- UL Classification Type "E"
- Park Brake – Left Foot Released
- Multifunction Control Handle, Right – Left Travel Control with Simultaneous Functions
- 88" Grid Style Drive-In-Rack Overhead Guard
- 3 Function Hydraulic Control Valve
- Key Switch Start
- AC Transistor Traction and Hydraulic Control
- Dual AC Traction Motors (Completely Brushless)
- AC Hydraulic Pump Motor (Completely Brushless)
- Fully Integrated CANbus Communication
- On-Demand Rack and Pinion Power Steering
- Directional Forward – Automotive Steering
- Brushless Steer Motor
- ADS (Auto Deceleration System) with Regenerative Braking
- Graphic LCD Multifunction Smart Display with Back Lighting
  - Hour Meters; Truck, Traction and Hoist Pump Time
  - Bar Graphic Battery Discharge Indicator
  - Low Battery Lift Interrupt
  - Performance Mode Selection and Indication
  - LED Status Indicators with Symbols
  - 4 Operator Selectable, Programmable Performance Modes
  - User Passwords and Operator Logs with history
  - Steer Wheel Angle Graphic Indication
  - Truck Inspection Check List
  - Truck Speed Indication in MPH or KPH
- Precision Load Positioning on Incline
- Cornering Speed Control
- Standard Tread – 42" Overall Truck Width
- Rear Entry, Side Stance
- Shock Dampened Operator's Compartment Floor with Cushioned Floormat
- Easy Ingress / Egress with Low 7" Step Height
- Padded Operator Backrest with Lumbar Support and Padded Arm Rest
- Operator Convenience Station
  - Storage Areas, Beverage & Clipboard Holders
- Dual Electric Brakes
- Battery Compartment Corrosive Resistant Steel Rollers
- Positive Mechanical Battery Disconnect
- Electric Horn (Long Life / No Adjustments)
- Static Strap
- Operating Manual
- 12 Month / 2,000 Hour Full Truck Warranty

## OPTIONAL EQUIPMENT

- 10° Forward / 5° Back Mast Tilt
- Reduced Speed Tilt
- Keyless Start (with Auxiliary Key Switch)
- Application / Environmental Construction
  - Cooler/Freezer Package
  - Subzero Freezer Package
- UL Classification Type "EE"
- Available with 2-stage Limited Free Lift (LFL) and 2-, 3- or 4-stage Full Free Lift (FFL) Masts
- Multifunction Control Handle, Push- Pull Travel Control with Simultaneous Functions
- 4 Function Hydraulic Control Valve
- Hydraulic Attachment Extension Tubes with or without Quick Disconnect Fittings
- Carriage with Integral Sideshift
- 36" or 48" Long Class II Hook Type (1.5" x 4") Standard Taper Forks
- 83" Flat Plate Drive-In-Rack Overhead Guard
- Various Light Packages
  - Mast Mounted
    - a. 2 Halogen Glass Lens Headlights
    - b. 2 LED Plastic Lens Headlights
  - OHG Mounted
    - a. 2 Halogen Glass Lens Headlights
    - b. 2 LED Plastic Lens Headlights
  - Rear Worklight
    - a. 1 Halogen Glass Lens Worklight
    - b. 1 LED Plastic Lens Worklight
- Dome Light & 2 Speed Fan Package
- Various Drive and Steer Tire Options
- Audible Alarms
- Visible Alarms – Amber Strobe
- Regulated Auxiliary Power Supply (suitable for electronic equipment)  
25 amps / 300 watts @ 12 volts
- Fire Extinguisher – 2.5 lb Dry Chemical

## It's not just about the lift trucks.

Any company worth its weight knows success has just as much to do with the support before and after the sale as the sale itself. We pride ourselves on being more than just a lift truck manufacturer. Through our Dealer Network, we're also fleet managers, parts suppliers, capital procurement specialists and trainers. You'll find that when it comes to service, we do it all.

## Hyster Fleet Services

As much as we'd like for your entire fleet to be Hyster, we know that's not always the case. But just because you also operate other brands doesn't mean we can't manage your lift truck maintenance and replacement plan. We can analyze your current fleet or provide summary of your fleet history and a cost-effective proposal for replacement and scheduled maintenance of all your vehicles. Once this initial review is complete, we'll continue to monitor your fleet to ensure it's performing optimally.

## UNISOURCE™ Parts Program

In addition to providing fleet management for a variety of brands, we can also serve as your source of parts for all your lift trucks. With the Hyster UNISOURCE parts and service program, we offer approximately 2 million part number crosses for most brands of materials handling and other in-plant mobile equipment. UNISOURCE also has remanufactured parts that provide the same quality and guarantee but at a lower price. And we can deliver parts to you in less than 24 hours, any day of the week. How's that for convenience?

## Rental Products

At Hyster Company, we're always looking for ways to help you keep your productivity up. Through the Hyster Dealer Network, you can access rental equipment for the times when leasing or buying isn't a practical option. Your local Hyster Dealer has access to over 14,000 units that are available for short- or long-term rental. Whether you need one truck to substitute for a vehicle that's being serviced or several lift trucks to accommodate seasonal changes in your business, we'll help you maintain output in a cost-effective manner.

## Hyster Capital

We know that financing new additions to your fleet can sometimes be challenging. That's why your Hyster Dealer has a long list of ways for you to fund your purchase. We are skilled in arranging solutions for special financing requirements, taking the difficulties out of buying the equipment you need. Whether you purchase or lease a new or used lift truck, Hyster Capital offers better service and competitive rates, ensuring you receive the value you deserve.

## Special Products

### Engineering Department (SPED)

In a perfect world, every application could be handled with a standard lift truck. However, in the real world, different materials require different handling. That's why Hyster Company's Special Products Engineering Department works with you to customize\* your lift trucks. From strobe lights to specially made forks, SPED can provide you with the tools you require to get the job done right.

*\* May be subject to an additional charge. Contact your local authorized Hyster Dealer for more information.*

## Automated Warehouse Solutions

As society's technological capabilities advance, we strive to find practical applications. One of our most recent innovations in that pursuit is our development of automated warehouse solutions. We can help you determine if your operation would benefit from this type of system, which improves inventory accuracy, warehouse productivity and safety records, as it reduces maintenance and overtime.


## Operator and Service Training

Hyster Company recognizes that proper training is a key element of a profitable company. That's why your local authorized Hyster Dealer offers a training program for your lift truck operators as well as those who maintain your vehicles. Proper education in running and servicing lift trucks cuts down on the number of repairs and risk of injuries due to accidents while increasing productivity. All of our trainers are professionals with experience in materials handling.



Hyster Company  
P.O. Box 7006  
Greenville, North Carolina  
27835-7006  
Part No. E30-40HSD2/BTG  
10/2010 Litho in U.S.A.

**Visit us online at [www.hysteramericas.com](http://www.hysteramericas.com)  
or call us at 1-800-HYSTER-1.**

Hyster, , Fortis, and MONOTROL are registered trademarks of Hyster Company. Hyster products are subject to change without notice.

The Hyster Company products included in this document may be covered by U.S. Patent 6,684,148 and other patents pending. Truck on cover shown with optional equipment. ©2010 Hyster Company. All rights reserved.

